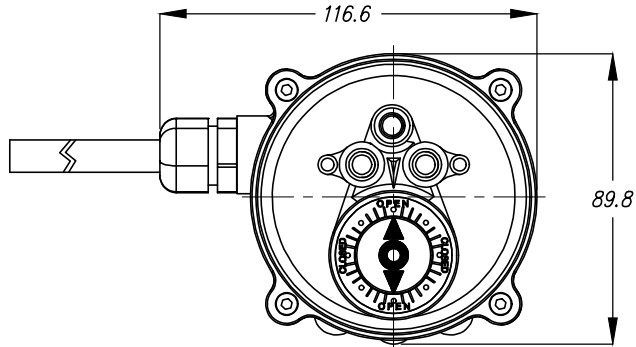
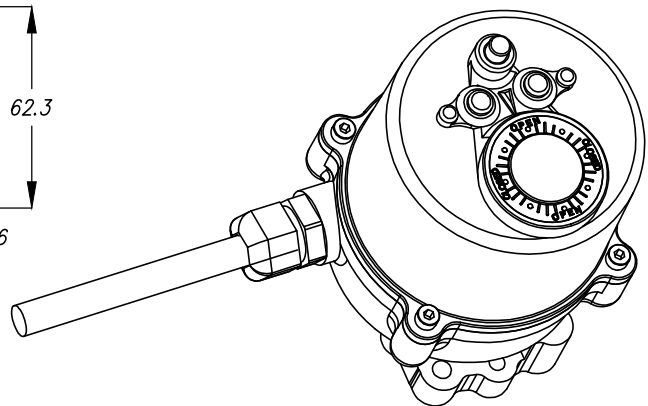
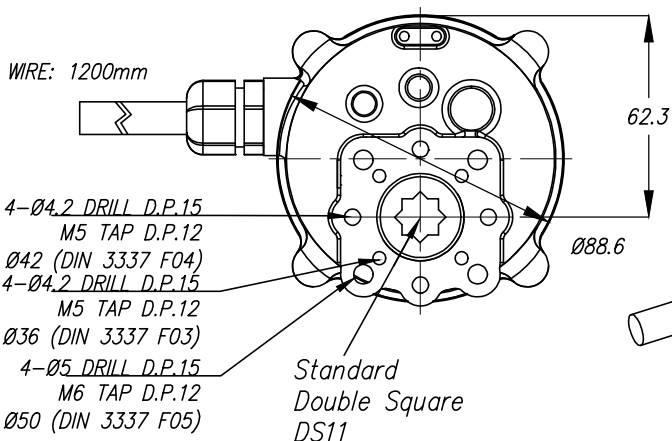
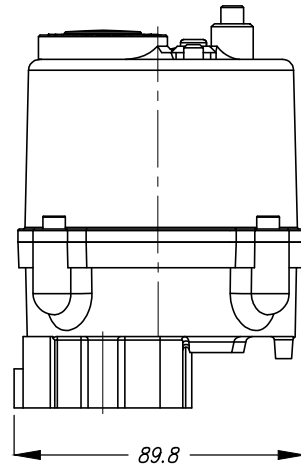
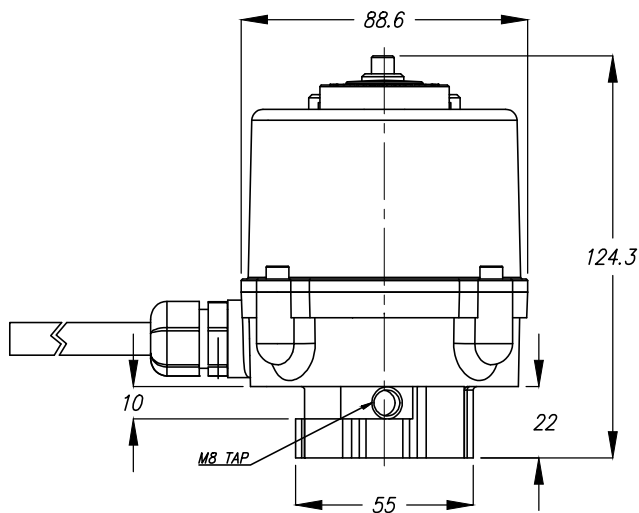


ELECTRIC ACTUATOR ELA40 WITH DRIVE BUSHING

DOUBLE SQUARE INSERT DS11



ENCLOSURE: IP67
 TORQUE: 4Kg.m / 40Nm
 OPERATION TIME: 12sec
 POSITION SWITCH: 4 SPDT SWITCH
 CABLE ENTRY: PG11
 MOUNTING FLANGE: F03/F04/F05
 acc. to DIN/ISO5211



DATE:
08-11-2012

REV. DATE:

econosto

DRAWN:
FWP

CHECKED:

DWG. Nr.:
7907-1

REV.: