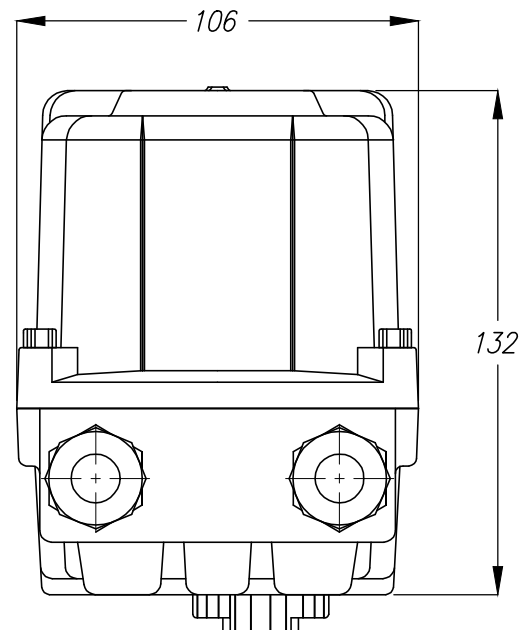
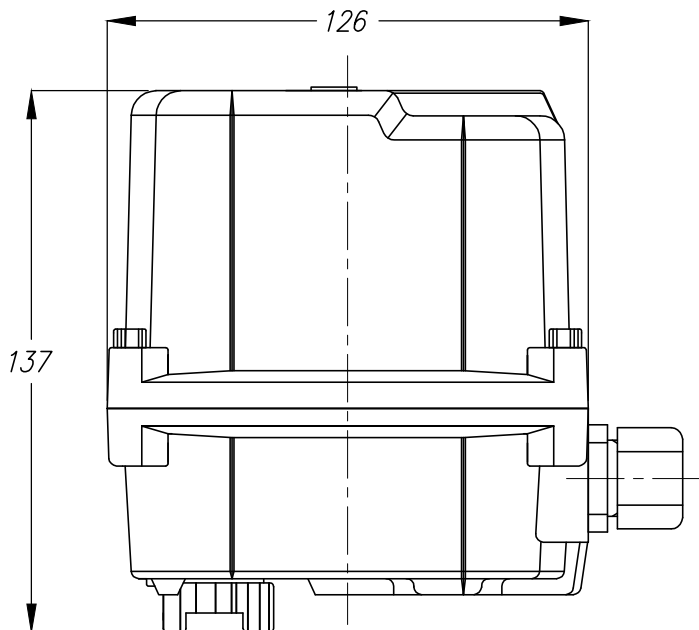
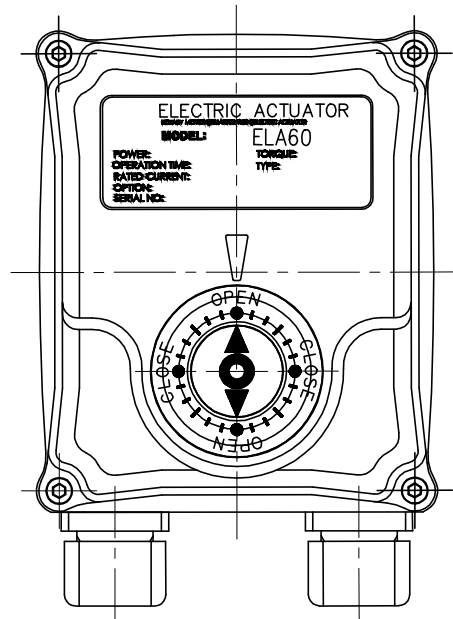
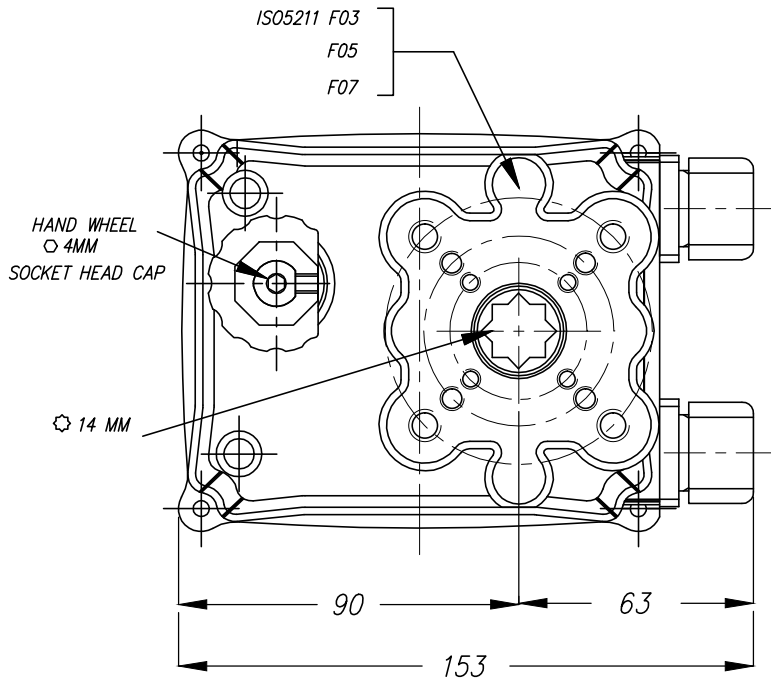


ELECTRIC ACTUATOR ELA60 WITH DRIVE BUSHING

DOUBLE SQUARE INSERT DS14

ENCLOSURE: IP67
 TORQUE: 6Kg.m / 60Nm
 OPERATION TIME: 12sec
 POSITION SWITCH: 4 SPDT SWITCH
 CABLE ENTRY: PG11
 MOUNTING FLANGE: F03/F05/F07
 acc. to DIN/ISO5211



DATE:
 12-11-2012

REV. DATE:
 18-04-2014

econosto

DRAWN:
 FWP

CHECKED:

DWG. Nr.:
 7907-2

REV.:
 A