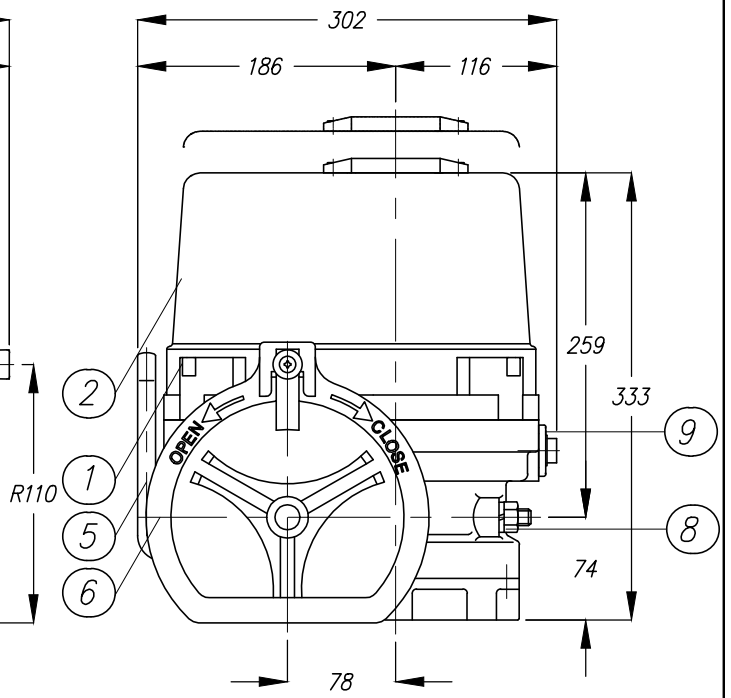
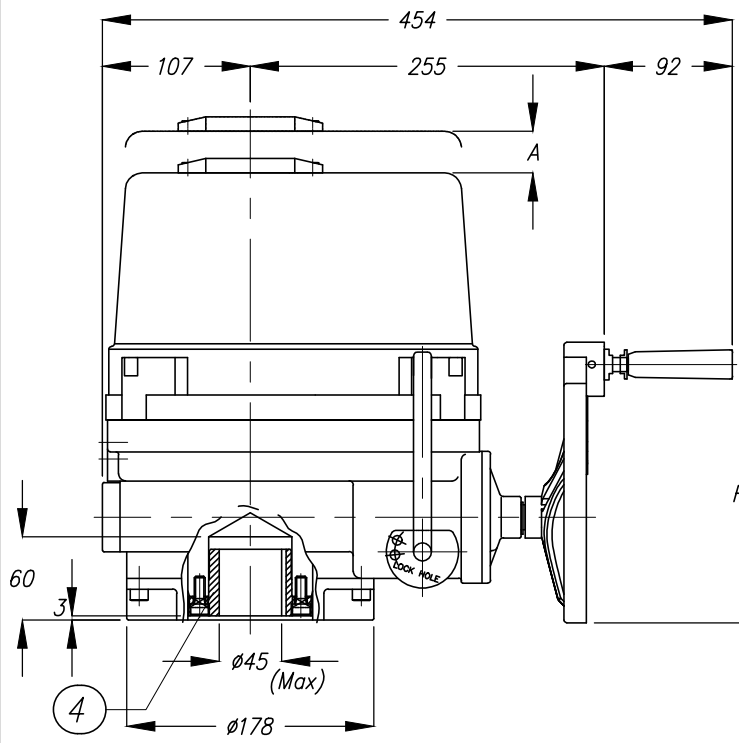
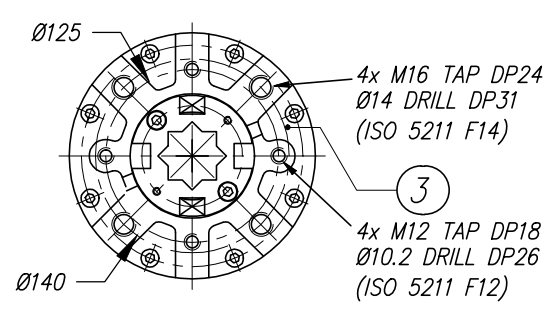
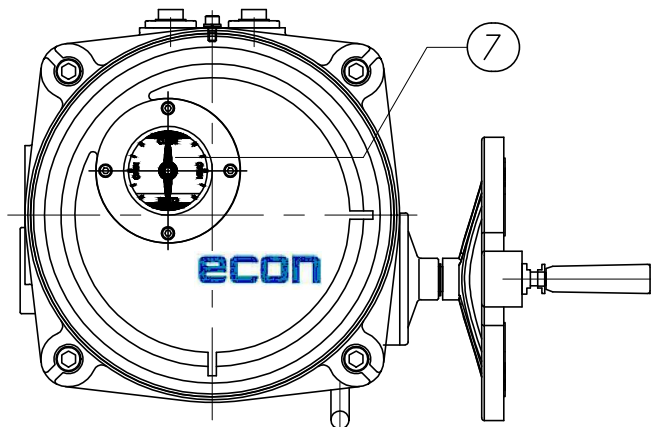


ELECTRIC ACTUATOR ELA800 AND ELA1200

WITH DRIVE BUSHING DOUBLE SQUARE INSERT DS27MM



POS	NAME	MATERIAL
1	BODY	AC4B
2	TOP COVER	AC4B
3	BASE	FC250
4	DRIVE BUSHING	SM45C
5	LEVER	SM45C
6	HANDLE	AC4B
7	INDICATOR	SUS304
8	STOPPER BOLTS	SUS302 2x M12x65
9	CONDUIT ENTRIES	PC+G30% 2x M25

SIZE "A" IS THE DIFFERENCE TO REMOVE THE COVER OF THE ACTUATOR NAMELY 210MM

ENCLOSURE: IP67
 TORQUE: 80 Kg.m / 800 Nm ELA800
 TORQUE: 120 Kg.m / 1200 Nm ELA1200
 OPERATION TIME: ±35sec
 CABLE ENTRY: 2x M25
 MOUNTING FLANGE: F12/F14 acc. to DIN/ISO 5211
 DRIVE BUSHING: Double square insert of 27mm

DATE:
21-11-2012

REV. DATE:
19-12-2013

econosto

DRAWN: FWP
 CHECKED:
 DWG. Nr.: 7907-6
 REV.: A