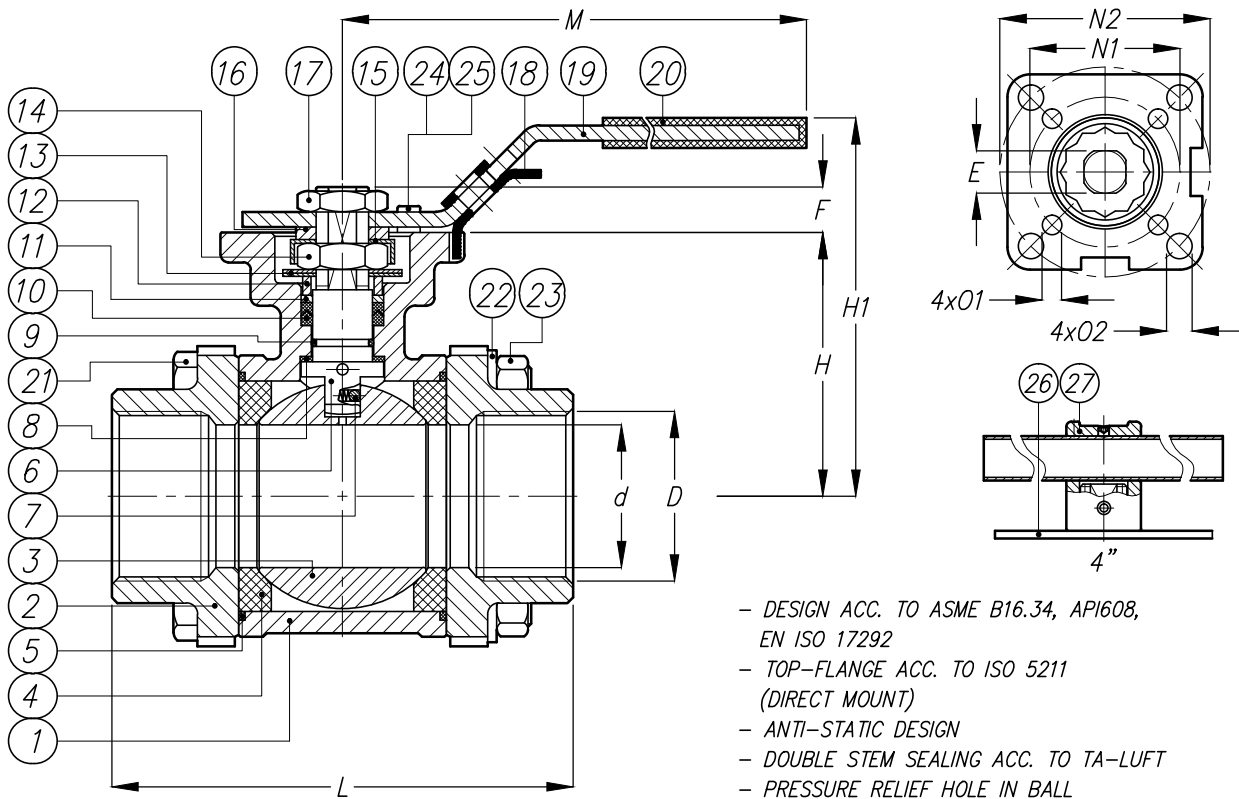


BALL VALVE OF STAINLESS STEEL, 1000 PSI WOG, ECON FIG. 7444,
 FULL BORE, BSP THREAD-CONNECTION, DIRECT MOUNT, WITH LOCKING DEVICE



- DESIGN ACC. TO ASME B16.34, API608, EN ISO 17292
- TOP-FLANGE ACC. TO ISO 5211 (DIRECT MOUNT)
- ANTI-STATIC DESIGN
- DOUBLE STEM SEALING ACC. TO TA-LUFT
- PRESSURE RELIEF HOLE IN BALL
- BSP THREAD ACC. TO ISO 228-1

POS	NAME	MATERIAL
1	BODY	1.4408
2	SCREWED END	1.4408
3	BALL	1.4408
4	SEAT RING	PTFE
5	GASKET	PTFE
6	STEM	1.4401
7	ANTISTATIC DEVICE	1.4401
8	THRUST WASHER	PTFE
9	O-RING	VTON
10	STEM SEAL	PTFE
11	BUSH	50%SS+50%PTFE
12	GLAND	1.4401
13	BELLEVILLE WASHER	1.4310
14	STEM NUT	1.4301 (A194-8)
15	LOCK PLATE	1.4301
16	GLAND	1.4301
17	STEM NUT	1.4301 (A194-8)
18	LOCKING DEVICE	1.4301
19	LEVER TILL 3"	1.4301
20	SLEEVE	PLASTIC
21	BOLT	A2-70
22	SPRING WASHER	1.4301
23	NUT	A2-70
24	CAP SCREW	1.4301 (A193-B8)
25	NUT	1.4301 (A194-8)
26	STOP PLATE	1.4301
27	T-BAR ONLY 4"	St. A53 ZINC PL. BARE SHAFT

DN	∅d	#E	F	H	H1	L	M	∅N1	∅N2	∅O1	∅O2
1/4"	10.6	9	9	42.0	72.0	75.0	145	36	42	6	6
3/8"	12.7	9	9	42.0	72.0	75.0	145	36	42	6	6
1/2"	15.0	9	9	42.0	72.0	75.0	145	36	42	6	6
3/4"	20.0	9	9	48.5	80.0	80.0	145	36	50	6	7
1"	25.0	11	11	58.0	90.0	90.0	175	42	50	6	7
1.1/4"	32.0	11	11	63.0	95.0	110.0	175	42	70	6	9
1.1/2"	38.0	14	14	71.0	106.0	120.0	194	50	70	7	9
2"	50.0	14	14	78.0	113.0	140.0	194	50	70	7	9
2.1/2"	63.5	17	17	100.0	149.0	185.5	265	70	102	9	11
3"	76.0	17	17	109.0	159.0	205.0	265	70	102	9	11
4"	100.0	22	22	140.0	205.0	240.0	400	-	102	-	11

DN	SW	m(kg)
1/4"	28	0.64
3/8"	28	0.63
1/2"	28	0.69
3/4"	32	0.88
1"	41	1.38
1.1/4"	50	2.02
1.1/2"	57	2.96
2"	70	4.34
2.1/2"	86	8.22
3"	101	11.21
4"	132	22.06

DATE:
19-04-2005

REV. DATE:
25-03-2011

econosto

DRAWN: FWP
 CHECKED: RV

DWG. Nr.: 7444
 REV.: C