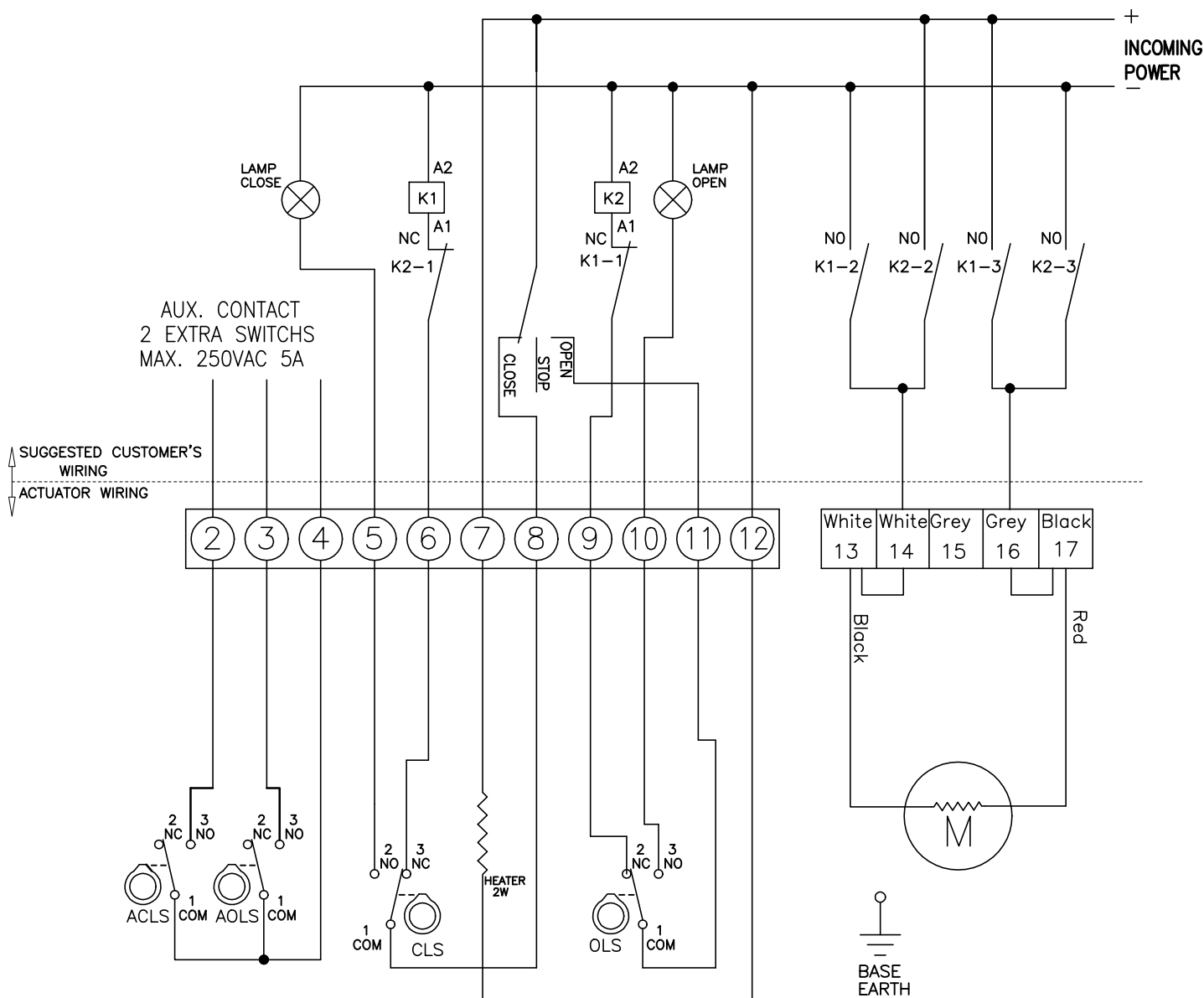


ELECTRIC WIRING DIAGRAM FOR ACTUATOR ELA60

24VDC STANDARD



| SYMBOL | DESCRIPTION | RATING |
|--------|-------------------------|------------|
| CLS | CLOSE LIMIT SWITCH | 250VAC 5A |
| OLS | OPEN LIMIT SWITCH | 250VAC 5A |
| ACLS | AUX. CLOSE LIMIT SWITCH | 250VAC 5A |
| AOLS | AUX. OPEN LIMIT SWITCH | 250VAC 5A |
| TP | TERMAL PROTECTOR | 250VAC 15A |

*EACH ACTUATOR SHOULD BE POWERD TROUGH IT'S OWN INDIVIDUAL SWITCH OR RELAY CONTACTS TO PREVENT CROSS FEED BETWEEN TWO OR MORE ACTUATORS

DATE:
14-11-2012

REV. DATE:
14-11-2014

econ

DRAWN:
FWP

CHECKED:

DWG. Nr.:
D7907-2B

REV.:
E