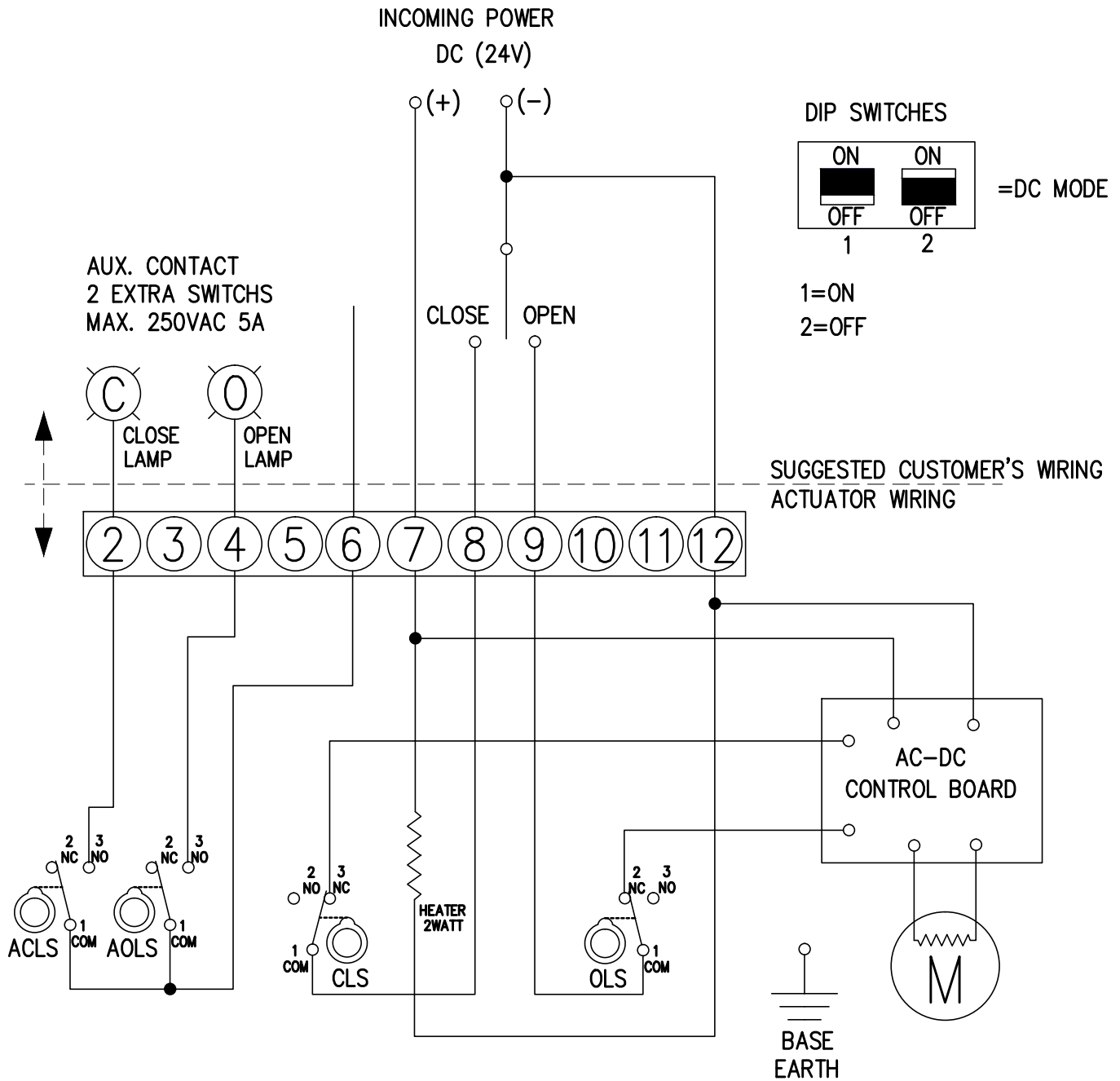


# ELECTRIC WIRING DIAGRAM FOR ACTUATOR ELA60

24VDC WITH AC-DC CONTROL BOARD



| SYMBOL | DESCRIPTION            | RATING     |
|--------|------------------------|------------|
| CLS    | CLOSE LIMIT SWITCH     | 250VAC 5 A |
| OLS    | OPEN LIMIT SWITCH      | 250VAC 5 A |
| ACLS   | AUX CLOSE LIMIT SWITCH | 250VAC 5 A |
| AOLS   | AUX OPEN LIMIT SWITCH  | 250VAC 5 A |
|        |                        |            |

\*EACH ACTUATOR SHOULD BE POWERED THROUGH IT'S OWN INDIVIDUAL SWITCH OR RELAY CONTACTS TO PREVENT CROSS FEED BETWEEN TWO OR MORE ACTUATORS.

DATE:  
14-11-2012

REV. DATE:  
14-11-2014

**econ**

DRAWN:  
FWP

CHECKED:

DWG. Nr.:  
D7907-2C DC

REV.:  
B