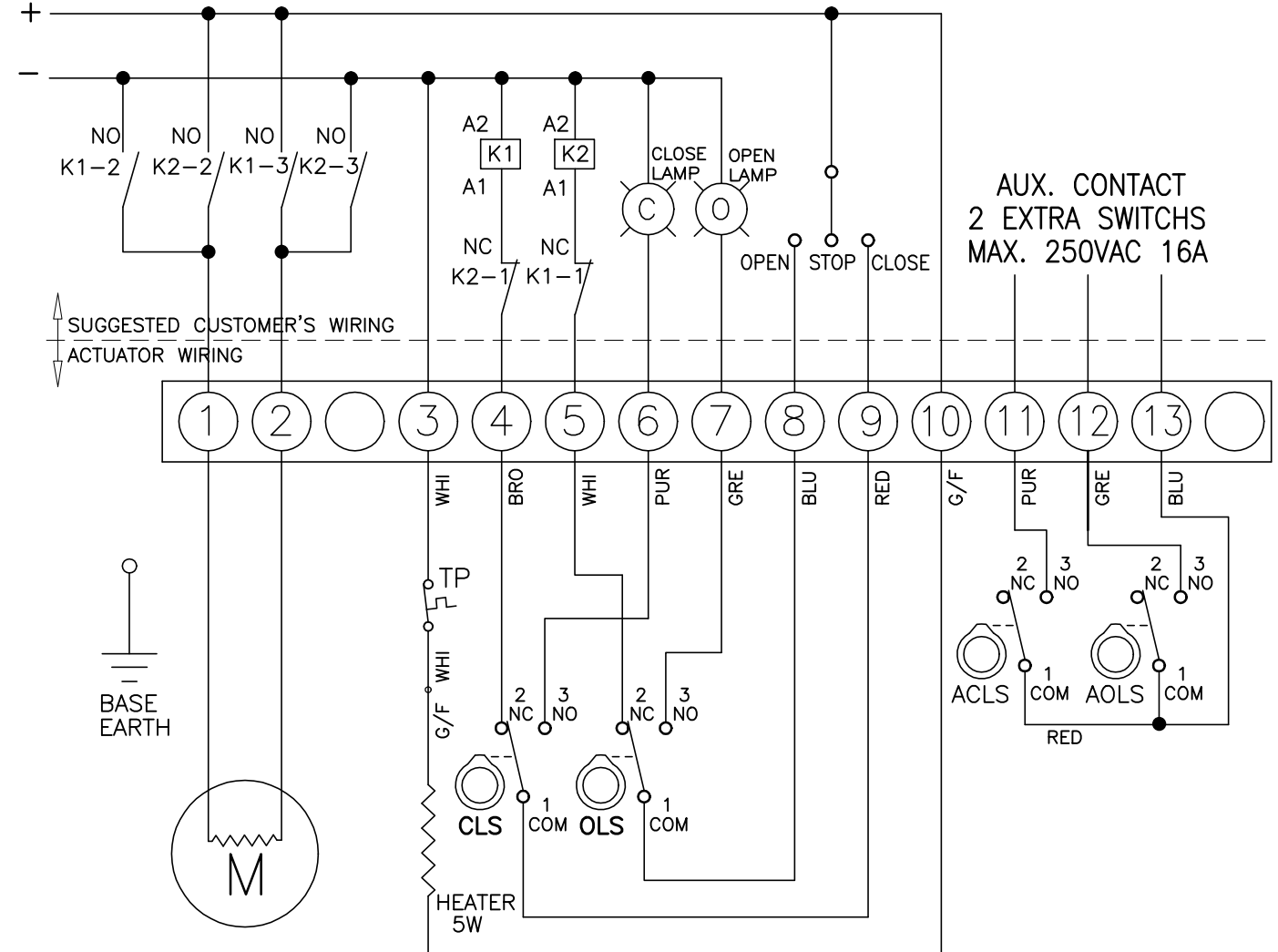


ELECTRIC WIRING DIAGRAM FOR ACTUATOR ELA80 AND 100

24VDC STANDARD

INCOMING
POWER



| SYMBOL | DESCRIPTION | RATING |
|--------|------------------------|------------|
| CLS | CLOSE LIMIT SWITCH | 250VAC 16A |
| OLS | OPEN LIMIT SWITCH | 250VAC 16A |
| ACLS | AUX CLOSE LIMIT SWITCH | 250VAC 16A |
| AOLS | AUX OPEN LIMIT SWITCH | 250VAC 16A |
| TP | THERMAL PROTECTOR | 250VAC 15A |

*EACH ACTUATOR SHOULD BE POWERED THROUGH IT'S OWN INDIVIDUAL SWITCH OR RELAY CONTACTS TO PREVENT CROSS FEED BETWEEN TWO OR MORE ACTUATORS.

DATE:
14-11-2014
REV. DATE:
21-11-2014

econ

DRAWN: JL
CHECKED:
DWG. Nr.: D7907-3B
REV.: C