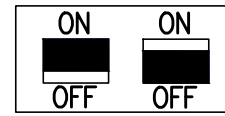


# ELECTRIC WIRING DIAGRAM FOR ACTUATOR ELA80 AND 100

24VAC AC-DC CONTROL BOARD

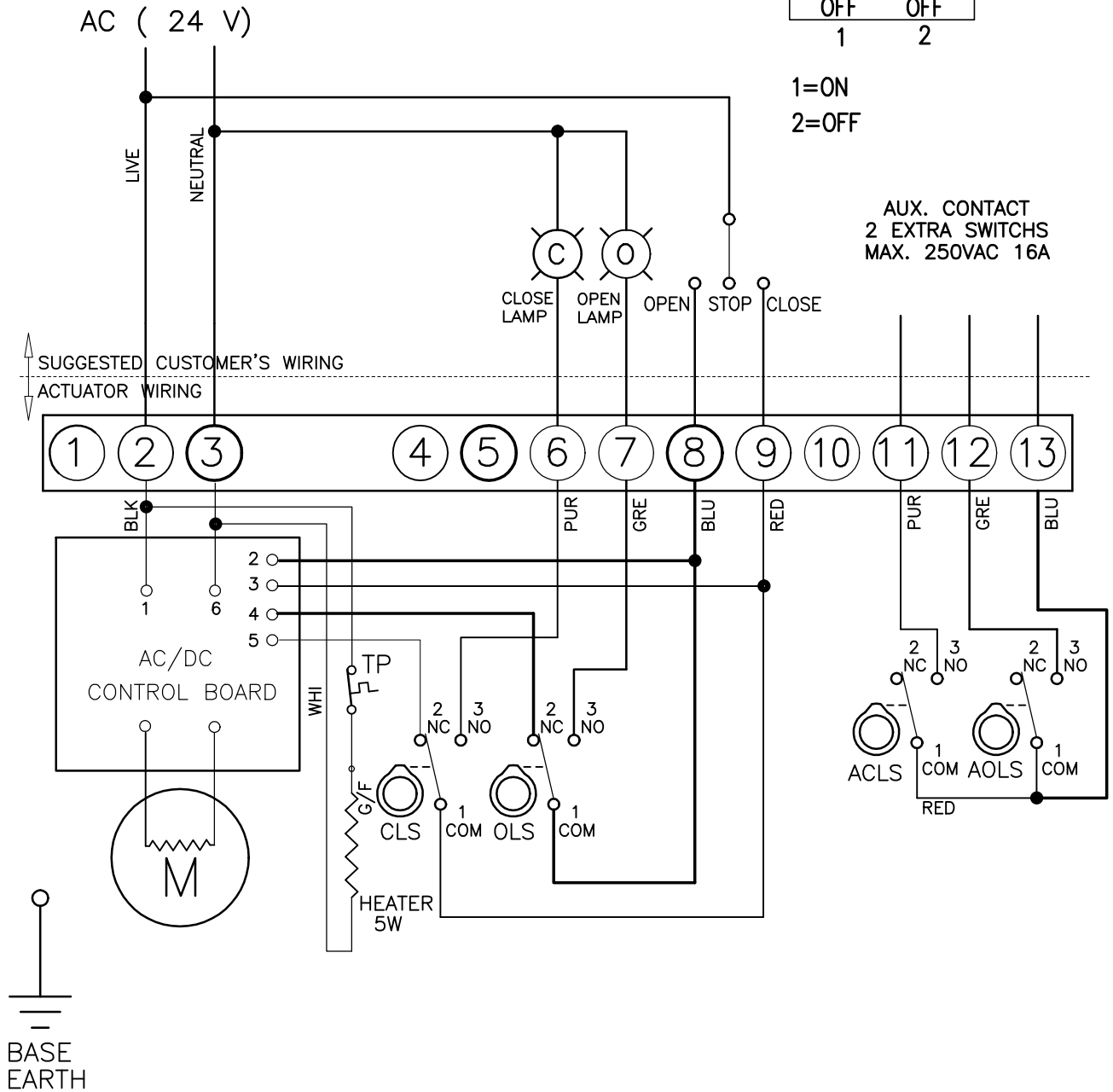
## DIP SWITCHES



=AC MODE

1=ON  
2=OFF

AUX. CONTACT  
2 EXTRA SWITCHES  
MAX. 250VAC 16A



SYMBOL	DESCRIPTION	RATING
CLS	CLOSE LIMIT SWITCH	250VAC 16 A
OLS	OPEN LIMIT SWITCH	250VAC 16 A
TIP	TERMAL PROTECTOR	250VAC 15A
*EACH ACTUATOR SHOULD BE POWERED THROUGH IT'S OWN INDIVIDUAL SWITCH OR RELAY CONTACTS TO PREVENT CROSS FEED BETWEEN TWO OR MORE ACTUATORS.		

DATE:  
14-11-2012  
REV. DATE:  
21-11-2014

**econ**

DRAWN: JL  
CHECKED:  
DWG. Nr.: D7907-3C-AC  
REV.: A