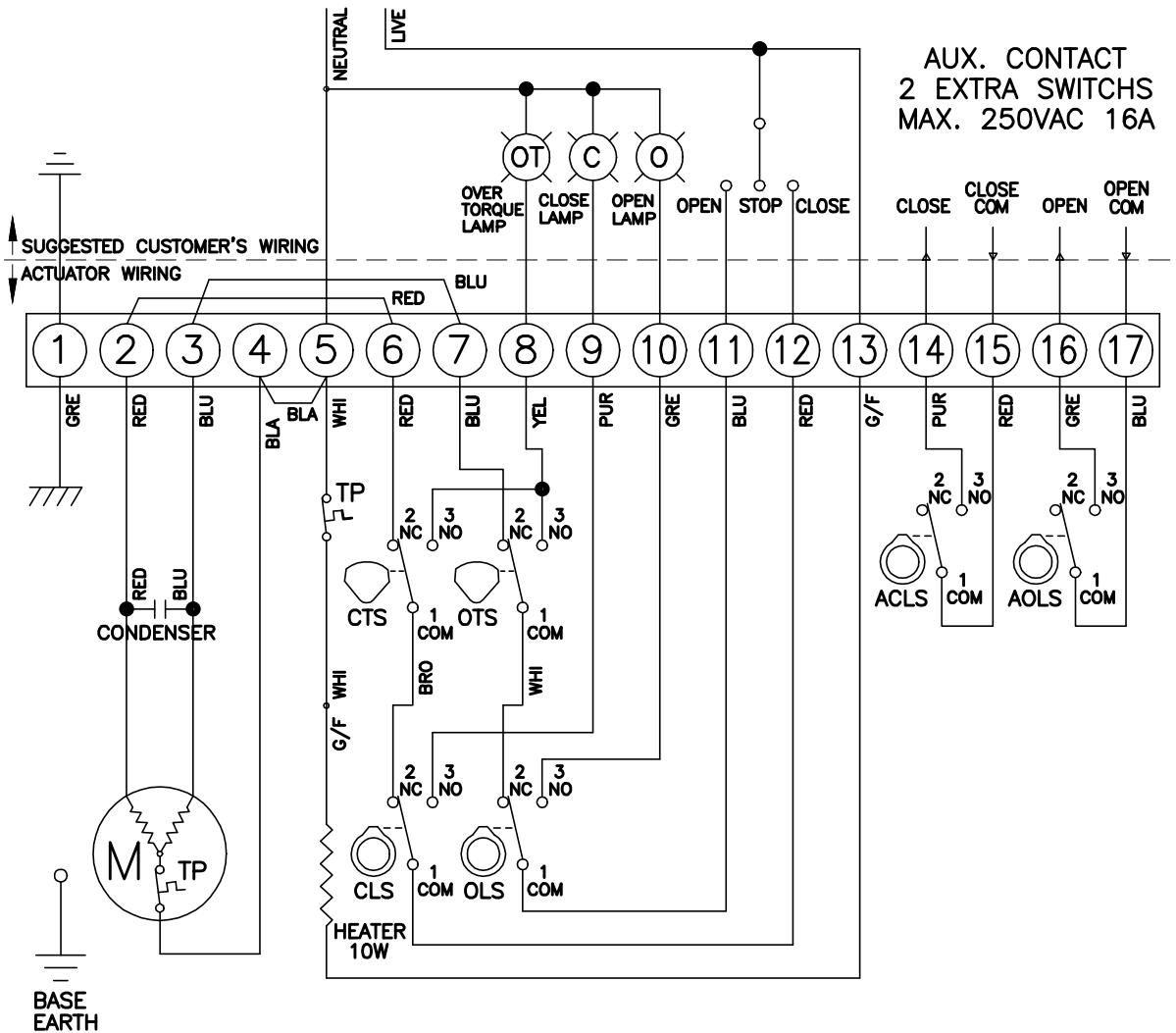


ELECTRIC WIRING DIAGRAM FOR ACTUATOR

ELA150 TILL ELA3000, 110VAC OR 230VAC 1 PH STANDARD

INCOMING POWER



| TORQUE AND LIMIT SWITCH OPERATION | | |
|-----------------------------------|---|------------|
| CTS 1-3 | *CLOSING TORQUE SWITCHES INTERRUPTS CONTROL IF MECHANICAL OVERLOAD OCCURS CLOSING CYCLE | |
| OTS 1-3 | *OPENING TORQUE SWITCHES INTERRUPTS CONTROL IF MECHANICAL OVERLOAD OCCURS OPENING CYCLE | |
| SYMBOL | DESCRIPTION | RATING |
| CLS | CLOSE LIMIT SWITCH | 250VAC 16A |
| OLS | OPEN LIMIT SWITCH | 250VAC 16A |
| CTS | CLOSE TORQUE SWITCH | 250VAC 16A |
| OTS | OPEN TORQUE SWITCH | 250VAC 16A |
| ACLS | AUX. CLOSE LIMIT SWITCH | 250VAC 16A |
| AOLS | AUX. OPEN LIMIT SWITCH | 250VAC 16A |
| TP | TERMAL PROTECTOR | 250VAC 15A |

*EACH ACTUATOR SHOULD BE POWERED THROUGH IT'S OWN INDIVIDUAL SWITCH OR RELAY CONTACTS TO PREVENT CROSS FEED BETWEEN TWO OR MORE ACTUATORS

DATE:
14-11-2012

REV. DATE:
21-11-2014

econ

DRAWN: FWP
CHECKED:

DWG. Nr.: D7907-4A
REV.: A