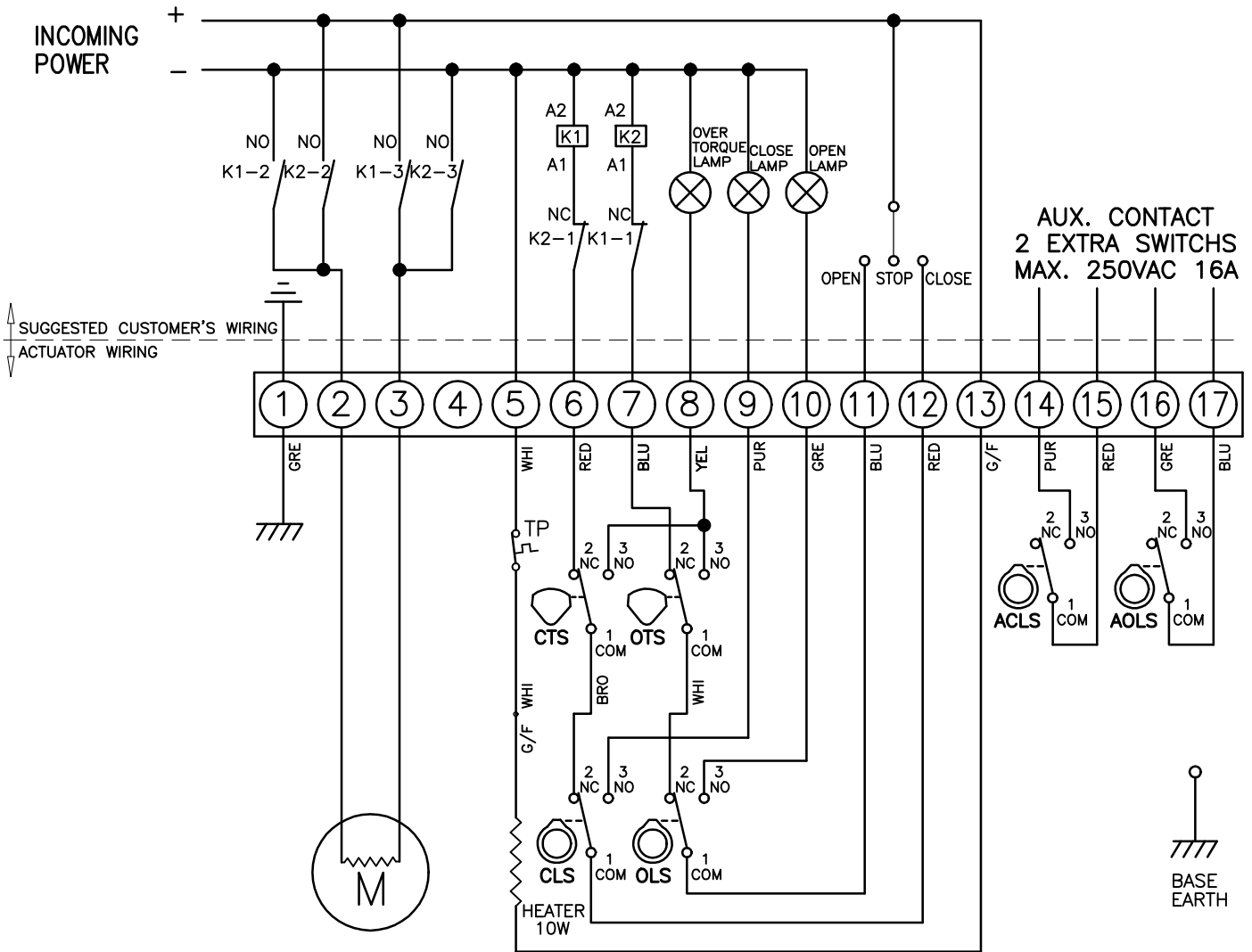


ELECTRIC WIRING DIAGRAM FOR ACTUATOR

ELA150, ELA200 AND ELA300 24VDC STANDARD



TORQUE AND LIMIT SWITCH OPERATION		
CTS 1-3	*CLOSING TORQUE SWITCHS INTERRUPTS CONTROL IF MECHANICAL OVERLOAD OCCURS CLOSING CYCLE	
OTS 1-3	*OPENING TORQUE SWITCHS INTERRUPTS CONTROL IF MECHANICAL OVERLOAD OCCURS OPENING CYCLE	
SYMBOL	DESCRIPTION	RATING
CLS	CLOSE LIMIT SWITCH	250VAC 16A
OLS	OPEN LIMIT SWITCH	250VAC 16A
CTS	CLOSE TORQUE SWITCH	250VAC 16A
OTS	OPEN TORQUE SWITCH	250VAC 16A
ACLS	AUX. CLOSE LIMIT SWITCH	250VAC 16A
AOLS	AUX. OPEN LIMIT SWITCH	250VAC 16A
TP	TERMAL PROTECTOR	250VAC 15A

*EACH ACTUATOR SHOULD BE POWERD TROUGH IT'S OWN INDIVIDUAL SWITCH OR RELAY CONTACTS TO PREVENT CROSS FEED BETWEEN TWO OR MORE ACTUATORS

DATE:
14-11-2012

REV. DATE:
21-11-2014

econ

DRAWN: FWP
CHECKED:

DWG. Nr.: D7907-4B
REV.: C