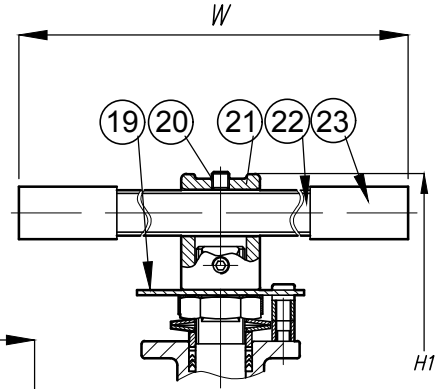
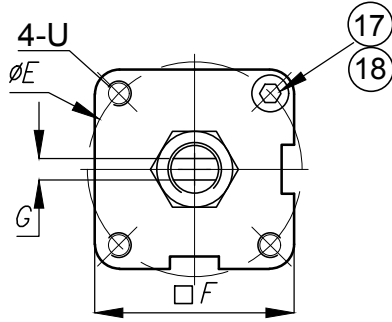
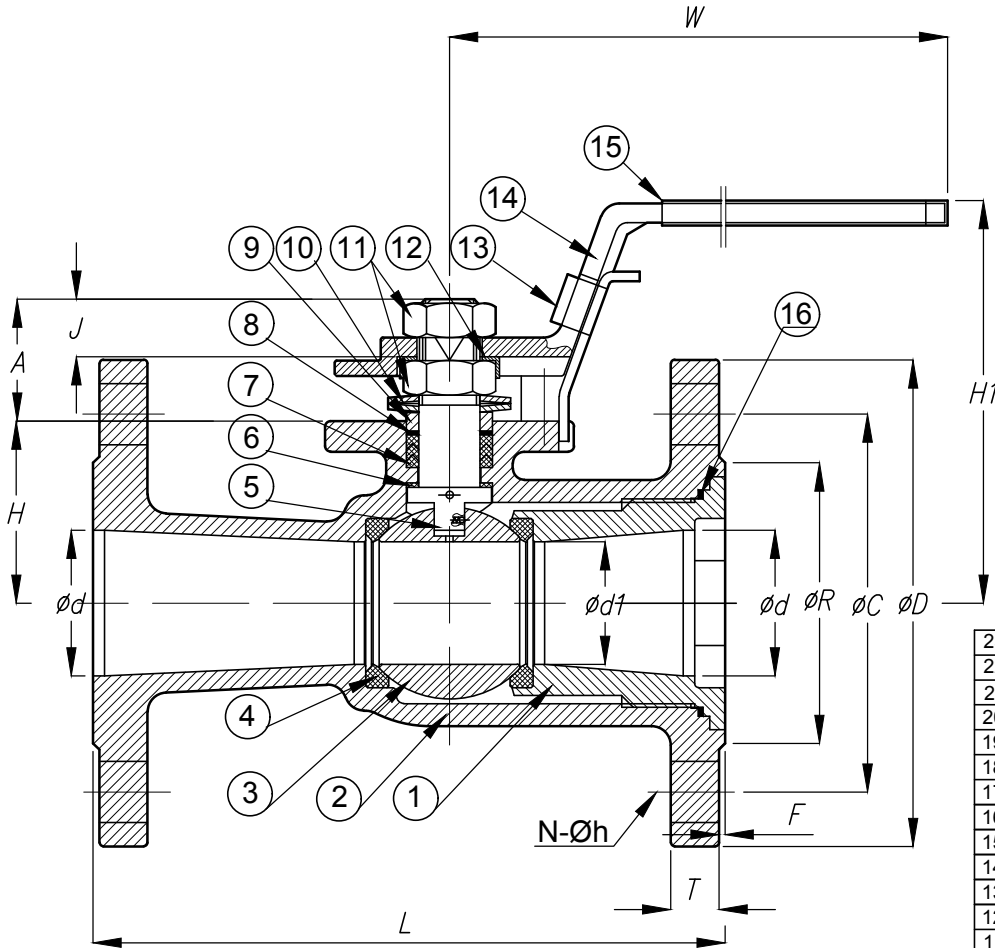


# STEEL BALL VALVE, REDUCED BORE, ECON FIG. 7121

1-PC BODY, FLANGED ENDS  
PRESSURE CLASS 150 LBS



SIZE: 3"~6"



SIZE: 1/2"~2-1/2"

APPLICABLE STANDARDS:  
Design: ASME B16.34  
Pressure Rating: Class300  
Face to Face: ASME B16.10  
End Flange: ASME B 16.5 RF  
Inspection & Testing: API598

23	Handle Sleeve	(3"~6")	Vinyl Plastic
22	Pipe Handle	(3"~6")	A53+Zn Plated
21	Handle Adapter	(3"~6")	CF8
20	Set Screwed	(3"~6")	A2-70
19	Triangle Stopper	(3"~6")	420
18	Stop washer		304
17	Stop Bolt		A2-70
16	Body Gasket		Grafoil
15	Handle Sleeve	(1/2"~2-1/2")	VINYL PLASTIC
14	Handle	(1/2"~2-1/2")	CF8
13	Lock Device	(1/2"~2-1/2")	304
12	Stop-lock-cap		304
11	Stem Nut		A194-8
10	Belleville Washer		301
9	Gland		316
8	Bushing		304
7	Packing		Grafoil
6	Thrust Washer		PTFE
5	Stem (Anti-Static Device)		304
4	Ball Seat		TFM1600
3	Ball		CF8
2	Insert		WCB
1	Body		WCB
No.	PART NAME		MATERIALS

SIZE	d	d1	L	R	D	C	f	T	N	h	H	H1	W	G	S	A	J	U	E	F	ISO 5211
1/2"	12.5	10.0	108	35	89	60.5	2	8.1	4	16	23	74	136	6.3	3/8-24UNF	21.0	9.5	M5	42	42	F04
3/4"	19.0	12.5	117	43	198.6	70.0	2	8.9	4	16	23	74	136	6.3	3/8-24UNF	21.0	9.5	M5	42	42	F04
1"	25.0	17.5	127	51	108	79.2	2	9.6	4	16	34	88	170	9.0	9/16-18UNF	21.5	10.2	M6	50	50	F05
1-1/4"	32.0	25.0	140	63.5	117	88.9	2	11.1	4	16	42	96	170	9.0	9/16-18UNF	21.5	10.2	M6	50	50	F05
1-1/2"	38.0	32.0	165	73	127	98.6	2	12.6	4	16	48	105	200	9.6	5/8-18UNF	32.0	15.0	M8	70	65	F07
2"	50.0	38.0	178	92	152.5	120.7	2	14.3	4	19	57	114	200	9.6	5/8-18UNF	32.0	15.0	M8	70	65	F07
2-1/2"	62.0	50.0	190	105	177.8	139.7	2	15.9	4	19	67	133	250	16	7/8-14UNF	42.5	18.5	M10	102	92	F10
3"	76.0	60.3	203	127	190.5	152.4	2	17.5	4	19	76	142	300	16	7/8-14UNF	42.5	18.5	M10	102	92	F10
4"	98.0	76.0	229	157.2	228.6	190.5	2	22.3	8	19	96	195	400	18	1-1/8-12UNF	55.0	25.0	M10	102	92	F10
6"	146	100.0	267	216	280	241.3	2	24.0	8	22	133	242	600	27	1-3/8-12UNF	62.0	32.0	M10	125	125	F12

DATE:  
25-04-2016

REV. DATE:

**econ**®

DRAWN:  
J.L.

CHECKED:  
J.K.

DWG. Nr.:

7121

REV.: