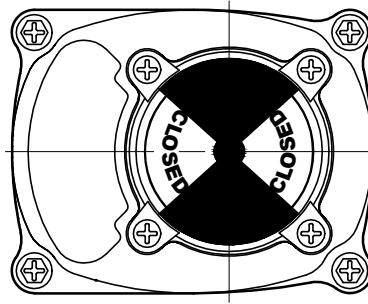
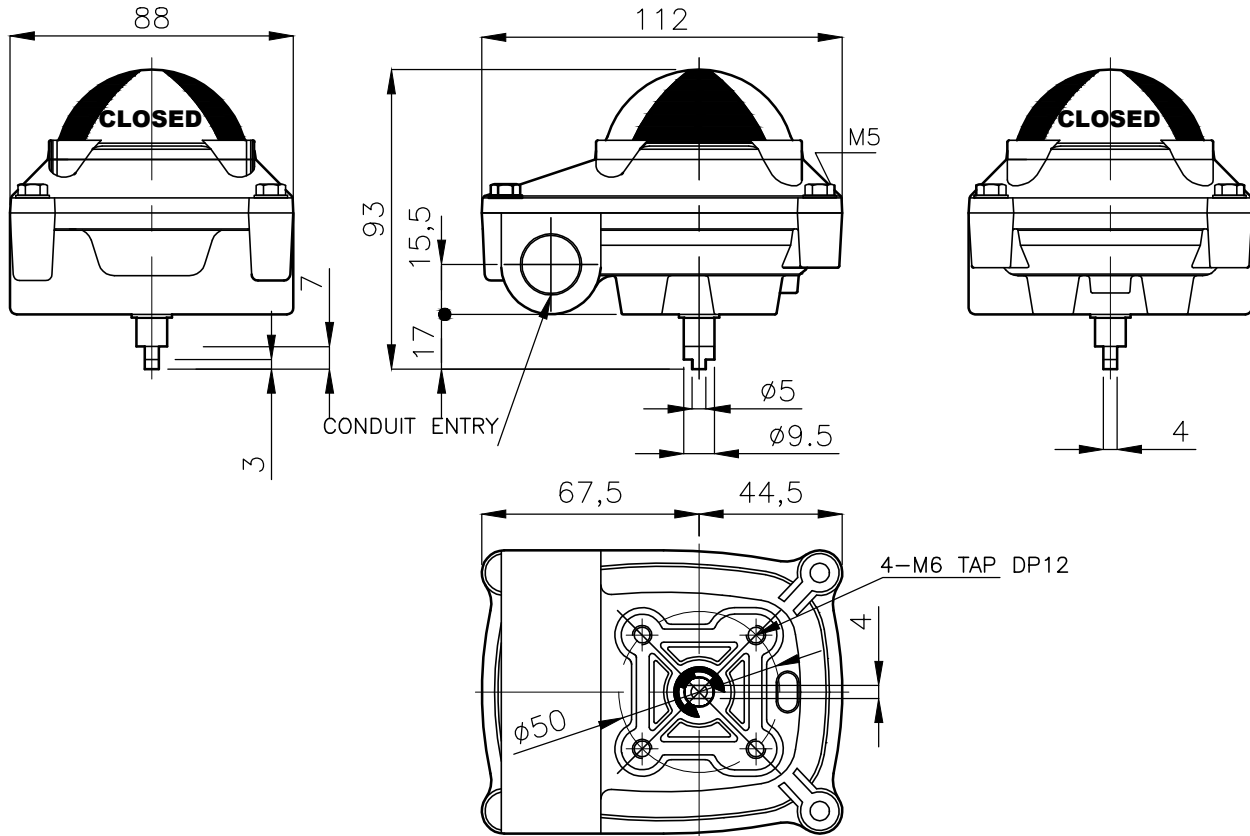


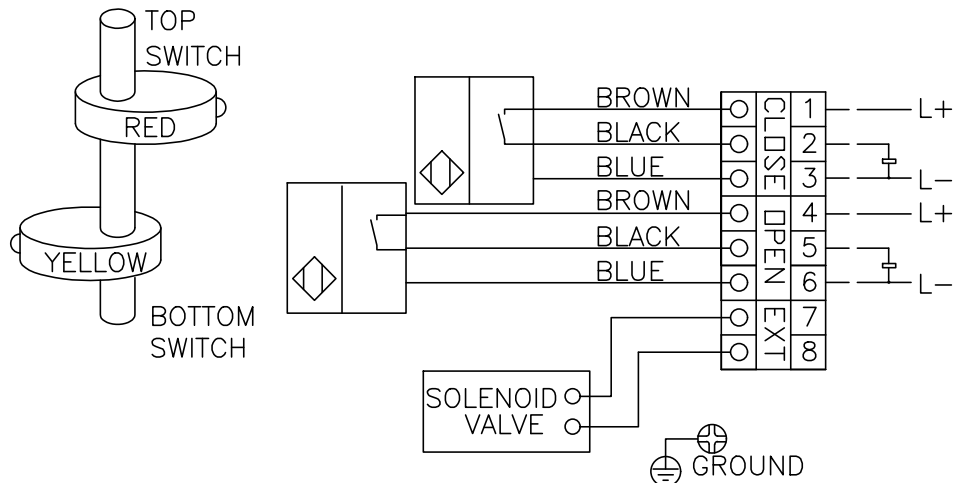
LIMIT SWITCH BOX 79651-APS-3W



SWITCH MODEL: PROXIMITY
 SWITCH TYPE: P&F NBB2-V3-E2
 TEMP. LIMITS: -20°/+80°C
 ENCLOSURE: IP67
 CONDUIT ENTRY: 2x M20x1,5
 (2x NPT 3/4" OPTIONAL)
 MAT. BODY: ALUMINIUM
 MAT. POS. INDICATOR: POLYCARBONATE
 MAT. SHAFT: SS 304
 MAT. FASTENERS: SS 304



WIRING DIAGRAM



DATE:
17-06-2015

REV. DATE:

econ[®]

DRAWN:
JL

CHECKED:

DWG. Nr.:
79651-2

REV.:

GRB